



Main Features

- Fanless POS box system
- Slim and compact enclosure design
- Intel® Atom™ processor D2550, 1.86GHz
- Support DDR3 1066 SO-DIMM memory
- 2.5" removable SATA HDD
- Powered COM(4), USB(6), printer port (1), VGA(1), DVI(1), GbE LAN(1), cash drawer(1), PS/2(1)
- Optional wall-mount kit for compact space accommodation

Product Overview

The NEXCOM NPB 3550 is a high value rugged die-cast aluminum POS box PC that is designed with high flexibility and scalability. The Rich I/O interface make the POS system easily work with various peripherals. It is perfect for the retail, Kiosk, and restaurant industries application.

Unique Sleek and Noise Free Fanless Design driven by an Intel® Atom™ Cedarview D2550 Dual Core Processor makes it a become cost effective and high value terminal. Additional features like easy-open Latch design for tool-free access and removable HDD for cold swapping make repair so easy, lowering terminal downtime to almost zero thus saving on maintenance cost. Hardware platform can be easily upgraded by swapping out mother board but not swapping out I/O board.

Specifications

System

- CPU: Intel® Atom™ processor 2550, 1.86 GHz
- BIOS: AMI BIOS
- System chipset: Intel® NM10
- System memory: 1x 204-pin DDR3 SO-DIMM socket, 2GB DDR3 1066 (default), optional support up to 4GB DDR3 1066, non-ECC and unbuffered
- System Graphic: Integrated Graphics controller ,Intel® HD Graphics 3600
- Hard disk drive: One 2.5" 320GB SATA HDD, removable type, optional one 2.5" SATA HDD 320GB 5,400rpm for 2nd HDD (by SATA backplane)
- Expansion: 1x Full size Mini-card socket for Mini-PCIe and USB interface
- 1x half size Mini-card socket for Mini-PCIe and USB interface
- 1x SIM Card Socket support for 3G USB Mini-Card, Select by BIOS setting.

System Control Indicator

- Power Switch: 1 x Power ON/OFF switch
- Power LED: 1 x Power ON LED(Green)

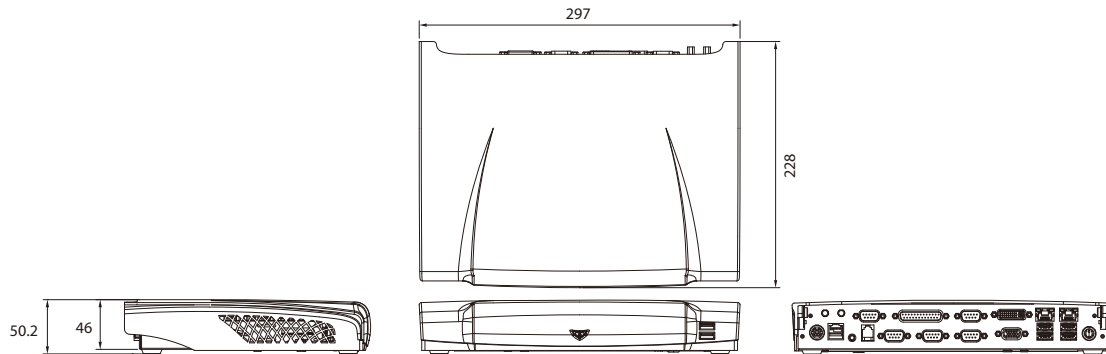
Front I/O

- USB: 2x USB 2.0 (USB6~7)

Rear I/O

- USB: 4x USB2.0 port(USB1~4)
- COM: 4x DB-9 powered RS-232 port, adjust RI/ 5V/ 12V by BIOS, optional: 1 xDB-9 Powered RS-232, 5V by BIOS Setting
- Powered USB port: 1 x +12VDC Powered USB2.0 (USB5)
- Ethernet: 1x RJ-45, 10/100/1000 Mbps, optional 1 x RJ-45 for 2nd LAN
- VGA: 1x DB-15 VGA port, optional: 1 x DB-15 2nd VGA share D-Shape hole with COM5
- DVI: 1x DVI-D port
- Cash drawer: 1x RJ-11 port, support two cash drawers (24V, Max 1.1A)
- PS/2: 1x KB/MS Combo PS/2 port
- Parallel: 1x DB-25 printer port
- Audio: 1 x Headset Jack (Speak-out & MIC)
- DC-IN: 1x +12VDC input, Mini-DIN 4 pin lock type
- Wireless Antenna: Optional Main/ Aux. wireless Antenna

Dimension Drawing



Audio

- High Definition audio codec: Realtek ALC886-GR
- External audio: 1x Headset Jack (Speak-out & MIC)
- Ethernet LAN chip: LAN1, Realtek RTL8111E Gigabit LAN, optional: LAN 2, Intel® WG82574L
- Ethernet interface: 10/100/1000 Based-TX Ethernet compatible

Mechanical & Environment

- Color: dark gray
- Mounting: desktop type, optional wall-mount Kit
- Power input: +12VDC
- Power adapter: AC to DC power brick (+12VDC/ 8.33A, 100W)
- Operating temperature: 0°C to 40°C
- Storage temperature: -20°C to 60°C
- Operating humidity: 20%~80% relative humidity, non-condensing
- Dimension: 297 (W)* 228 (D)* 50 (H) mm
- Weight: 2.6kg(5.73lbs)

Certifications

- CE approval
- FCC Class A
- LVD

Ordering Information

♦ NPB 3550-110 SYSTEM (P/N: A0Y10355000X0)

- CPU: Intel® Atom™ processor D2550, Dual-Core 1.86GHz L2 1MB;
- Memory: 2GB DDR3 SO-DIMM;
- HDD: 320GB 2.5" SATA 5,400rpm;
- Power: +12VDC/ 100W power brick